

VIA
ARTiGO A920

Fanless ultra-compact 4K
Android digital signage, M2M
& IoT gateway applications



Features

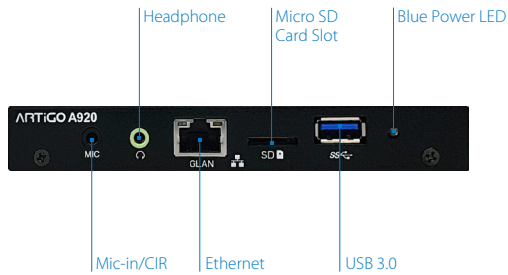
- Qualcomm® APQ8096SG Embedded Processor
- Supports 4K display resolution
- Designed for Android operating system
- Optional Wi-Fi and Bluetooth 4.1
- 4G module support

Specifications

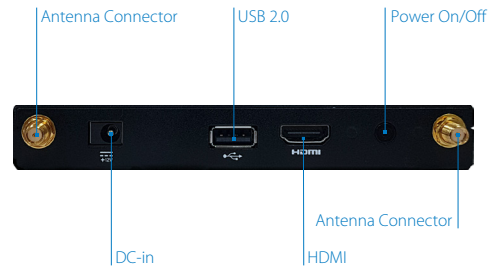
Model Name	ARTiGO A920
Processor	Qualcomm® APQ8096SG Embedded Processor - Two high-performance Kryo cores up to 2.342GHz - Two low power Kryo cores up to 1.593GHz
System Memory	4GB POP LPDDR4 SDRAM
Storage	16GB eMMC Flash memory Micro SD card slot
Graphics	Qualcomm® Adreno™ 530 GPU 3D graphics accelerator with 64-bit addressing 624MHz Graphics engine supporting OpenGL ES 3.1/GEP, GL4.4, DX11.3/4, OpenCL 2.0, Renderscript-Next Supports H.264, VP8, HEVC 8/10-bit, VP9 video decoding up to: 4K@60fps 1080p@240fps, 8 x 1080p@30fps
Trusted Platform Module	TPM1.2 : ST33TPM12I2C
Wireless Connectivity	NFA324A-12H32 QCA6174A-1 Wi-Fi 802.11a/b/g/n/ac + BT 4.1 combo LGA module
Audio	WCD9335 Audio Codec AMP 8810
HDMI	Integrated HDMI 2.0 transmitter
Expansion I/O	1 COM connector (TX/RX only for debugging) 1 SIM card slot (4G) 1 M.2 slot (for optional 4G module)
Front Panel I/O	1 USB 3.0 port 1 Gigabit Ethernet port 1 Micro SD card slot 1 Headphone jack 1 Mic-in, CIR (Optional) 1 Blue Power LED
Back Panel I/O	1 HDMI 2.0 port 1 USB 2.0 port 1 Power button 2 Antenna holes for Wi-Fi or optional 4G 1 DC-in jack (supports power-on)
Power Supply	12V DC-in (typical: 5W)
Operating System	Android 8.0
VIA Smart ETK	Wake-On-LAN, Watchdog timer
Operating Temperature	0°C ~ 50°C
Operating Humidity	0% ~ 90% @ 40° C (non-condensing)
Storage Temperature	-20°C ~ 70°C
Mechanical Construction	Aluminum top cover Metal chassis housing
Mounting	VESA mount (100mm x 100mm) (optional)
Dimensions	140mm(W) x 20mm(H) x 97.2mm(D) (5.51" x 0.79" x 3.83")
Weight	0.45kg (0.99lbs)
Compliance	CE, FCC



Front Panel External I/O



Back Panel External I/O



Ordering Information

Part Number	SoC Frequency	Description
ATG-A920-1Q23A1	Qualcomm® APQ8096SG Embedded Processor @ 2.342GHz/1.593GHz	Android system with 2.342GHz Qualcomm® APQ8096SG Embedded Processor, 16GB eMMC, 4GB POP LPDDR4 RAM, HDMI, USB 3.0, USB 2.0, GPIO, COM, Gigabit Ethernet, Wi-Fi, Bluetooth 4.1, M.2 slot, SIM card slot, Micro SD card slot, 12V DC-in
ATG-A920 -2Q23A1	Qualcomm® APQ8096SG Embedded Processor @ 2.342GHz/1.593GHz	Android system with 2.342GHz Qualcomm® APQ8096SG Embedded Processor, 16GB eMMC, 4GB POP LPDDR4 RAM, HDMI, USB 3.0, USB 2.0, GPIO, COM, Gigabit Ethernet, M.2 slot, SIM card slot, Micro SD card slot, 12V DC-in

Optional Accessories

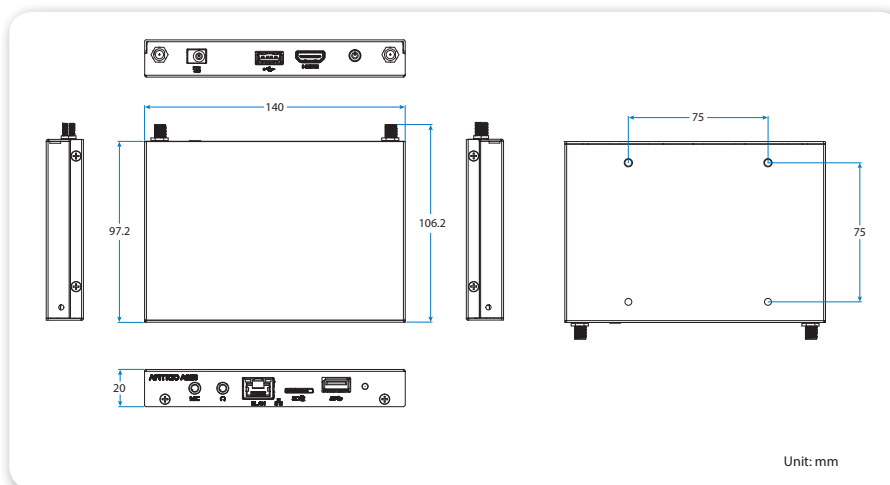
Mounting Options

Part Number	Description
A000000018010-T	VESA mount bracket

Cable Accessories

Part Number	Description
99G33-193428	Consumer Infrared (CIR) receiver cable
99G33-080297	Debug cable (TX/RX)

Dimensions



Packing List

Items
ARTiGO A920 system
AC-to-DC adapter
Power cord (USA type)
2 Wi-Fi antenna